



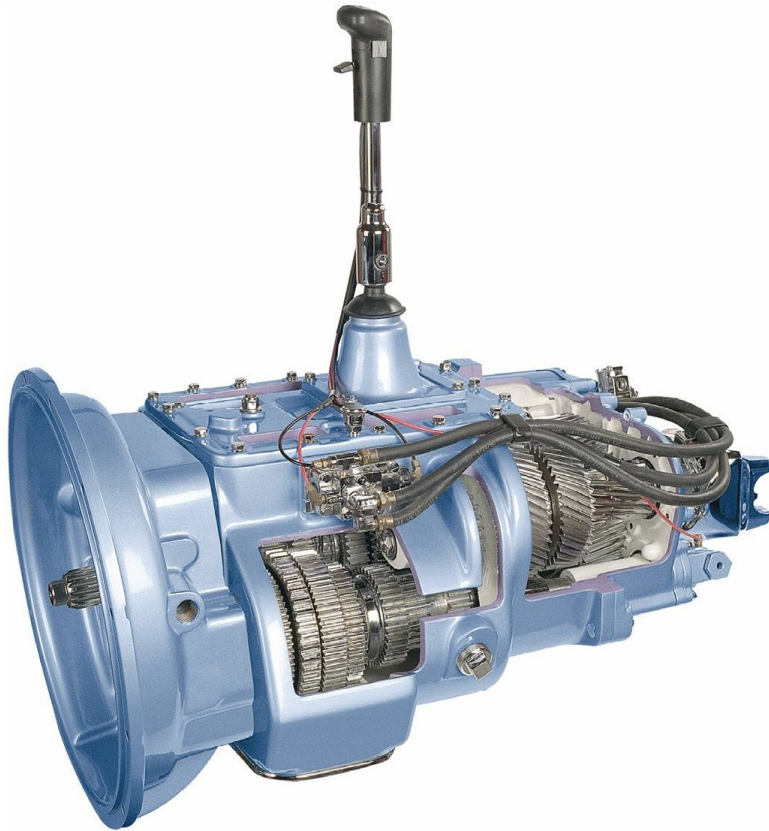
Pacific Truck

The Powertrain Specialists
For Over 70 Years

Your HD Drivetrain Guide



Pacific Truck



WE ARE HEAVY DUTY

Pacific Truck is one of the nation's largest independent distributors of heavy duty truck and trailer parts with coverage across Canada. Get the right parts, right now with access to 200,000 products from over 100 industry-leading manufacturers. Expert Reman and Rebuild services are sourced from our certified rebuild shop in Edmonton, Alberta.



Pacific Truck

The Parts You Need. When You Need Them.



THE BEST RELATIONSHIPS PLAY A VITAL PART

Your success and profitability in the heavy duty trucking industry is about the relationships you hold on to. These relationships keep your business and livelihood rolling.

Like you, Pacific Truck builds lasting relationships. Our job has always been to support business owners in the trucking community, by offering exceptionally reliable truck parts, expertise, available inventory and service delivery.

WE'RE GROWING NATIONWIDE TO SERVE YOU EVEN BETTER

A rich history with the promise of great things to come. When we started out in 1947 as an OEM truck building shop in Vancouver, British Columbia, our goal was to be better than the next guy down the street or, even the next county over. It's all about trust, relationships, parts on the shelf and HD expertise—do the right things and you've earned a customer for life.

A lot has changed since 1947, but our know-how and passion for serving the needs of our customers hasn't wavered. Pacific Truck's knowledgeable, experienced team of professionals earn the trust of our customers every day. Down the street or across the country, we'll put our team up against anyone.

BUILDING YOU THE MOST EXPERIENCED TRUCK PARTS AND SERVICE RESOURCE

- Founded in 1947
- Only Eaton Authorized Rebuilder in Canada - We Are Drivetrain Experts
- Reliable inventory of over 200,000 brand name heavy duty parts
- More than 100 leading manufacturers
- Industry leaders for over 70 years
- A full team of heavy duty parts professionals serving you every day

Give Us A Call Today 1 (800) 263-7619

Or Visit Us At www.pacifictruck.com

HEAVY DUTY

TRANSMISSION ASSEMBLIES & PARTS

TRANSMISSION ASSEMBLIES	5
TRANSMISSION KITS	5
TRANSMISSION PARTS	5 - 7

CLUTCH ASSEMBLIES & ACCESSORIES

CLUTCH ASSEMBLIES	7
CLUTCH INSTALLATION KITS	8
FLYWHEELS	9
PILOT BEARINGS	9
CLUTCH BRAKES	10
OTHER ACCESSORIES	10

U-JOINTS, YOKES, BEARINGS & ACCESSORIES

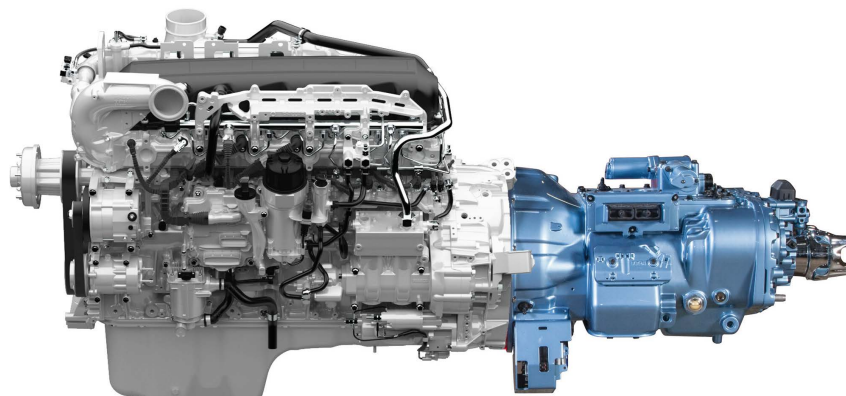
U-JOINTS	11
YOKES	12
CENTER BEARINGS	13
COMPANION FLANGES	14
SHAFT SLEEVES	14

DIFFERENTIAL ASSEMBLIES & PARTS

DIFFERENTIAL ASSEMBLIES	15
RING & PINION	16
CARRIER SEALS	16
OVERHAUL KITS	17

AXLE SHAFTS

AXLE SHAFTS	18 - 19
-------------------	---------



HEAVY DUTY

TRANSMISSION ASSEMBLIES & PARTS



ASSEMBLIES

DESCRIPTION	MODEL #	FULLER REMAN PART #	FULLER FLEX PART #	REMAN AVAILABLE
7 Speed	ALL MIDRANGE TRANSMISSIONS	-	-	Yes
8 Speed	RTO-16908LL*	TA-E41-12R	-	Yes
8 Speed	RTO-14908LL*	TA-E39-12R	-	Yes
10 Speed	FRO-16210C*	TA-D60-10R	FRO16210C-C	Yes
13 Speed	RTLO-18913A*	TA-E59-50R	RTLO18913A-P	Yes
13 Speed	RTLO-16913A*	TA-F04-50R	RTLO16913A-P	Yes
13 Speed	RTLO-16713A*	TA-B56-12R	RTLO16713A-P	Yes
18 Speed	RTLO-18918B*	TA-F10-50R	RTLO18918B-P	Yes
18 Speed	RTLO-20918B*	TA-E63-50R	RTLO20918B-P	Yes
18 Speed	RTLO-18718B*	TA-B77-12R	RTLO18718B-P	Yes
18 Speed	RTLO-22918B*	TA-F48-12R	-	Yes

* Multiple configurations & add-ons available in the above units

TRANSMISSION KITS

PART #	MODEL	DESCRIPTION	
101-432-1X	TTC	ALL MIDRANGE KITS	HD Transmission Kit
K-2275	Fuller	RT/RTO-14709 SERIES	HD Transmission Kit
K-2287	Fuller	RTLO-16713A SERIES PRIOR TO SERIAL NUMBER 51126221	HD Transmission Kit
K-2924	Fuller	SERVICE ONLY FOR USE ON FR/FRO-(9-18)210 SERIES WITH ELECTRONIC SPEEDOMETER COVER	HD Transmission Kit
K-3233	Fuller	RTO-16915, RTO-16908LL, RTO-14908LL AND RTO-14915 SERIES W/OIL PUMP	HD Transmission Kit
K-3256	Fuller	RT/RTF/RTO/RTOF-14915 RTO/RTOF-14908LL	HD Transmission Kit
K-3340	Fuller	RTLO16918B - RTLO20918B	HD Transmission Kit
K-3343	Fuller	RTLO/F-16913A & RTLO/F-18913A	HD Transmission Kit
K-3423	Fuller	FS-5406A/FS-6406A FSO-6406A/FSO-8406A	HD Transmission Kit



Give Us A Call Today 1 (800) 263-7619

Or Visit Us At www.pacifictruck.com

TRANSMISSION PARTS

DESCRIPTION	REFERENCE PART #	MODEL
Gasket--Front Bearing Cover	14311	Fuller
Snap Ring	14750	Fuller
Spring	14897	Fuller
Spring Position Finder	15918	Fuller
Snap Ring	16980	Fuller
Reverse Switch 9/16 -18 THD	22940	Fuller
Magnetic Filler Plug, 11/16	4304023	Fuller
Tapered Roller Bearing	5556503	Fuller
Breather 1/4"	4304602	Fuller
18 Speed Roadranger Valve	A6918	Fuller
Extended Halo Lube Tube	A7471	Fuller
#1 Bell-Nodal Iron Forced Lube	K3672	Fuller
#1 Bell-STD. Aluminum Forced Lube	K3676	Fuller
RT20149-20918 Gasket Kit	K3288	Fuller
Reverse Idler Shaft	K3209	Fuller
Syncro Assembly	K3492	Fuller
Isolator Bushing	K-3399	Fuller
Hex Flange Crimped Nut	K-4122	Fuller
Speed Sensor	K-4148	Fuller
Seal Kit 3.75" Gaskets Slinger	K-2262	Fuller
Oil Seal Kit	K-2918	Fuller
O-Ring Kit	K-3341	Fuller
Stub Tower Isolator Assembly Low	S2129	Fuller
RTL018918B Aux. Section	S2783R	Fuller
Magnetic Pipe Plug Hex, 3/4	X12-1207	Fuller
Shaft Split Bushing	128C-20	TTC
Breather	5951X	TTC
Interlock Drive Screw	545091	TTC
Breather	3144X	TTC
Soft Fork Clip Assembly	101-486-1-1X	TTC
Seal/Sleeve Assembly	60-463-10-1X	TTC

*Roadranger Extended Protection Plans require the use of Roadranger lubricants or fluid meeting the EATON Transmission Specification.
For More Information Visit Roadranger.com or www.roadranger.com/ecm/groups/public/@pub/@eaton/@roadranger/documents/content/aps10300.pdf

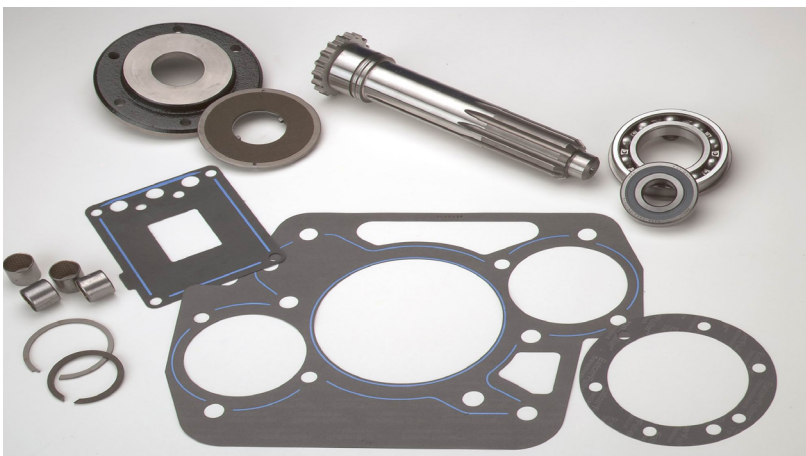
EVERY UNIT BUILT BY PACIFIC IS DYNO TESTED & USES OEM COMPONENTS

Give Us A Call Today 1 (800) 263-7619

Or Visit Us At www.pacifictruck.com

REMAN CLUTCH ASSEMBLIES & ACCESSORIES

CLUTCH TORQUE LB-FT	SPLINE DIA. # SPLINES	FLYWHEEL BORE	# SPRINGS DAMPER	FACING	SOLO®	EASY PEDAL®	MID-AMERICA Reference Only		
					REMAN				
1400	15.5 INCH	2" - 10"	7"	8	4	-	108391-81MO	MU155597-DSCB	
					Organic	-	108391-82MO	MU155597-DS	
1650			8.5"	10	4	109700-74MO	108391-74MO	MU155698-SB10	
1650					4	109700-61MO	108935-61MO	MU155698-SB9	
1760			10"	9 (Mack and Volvo 11L & 13L)	4	109700-61MO	108935-61MO	MU155698-SB9	
1650					6	-	108935-91MO	MU155698-12SB9	
1760					6	-	-	MU155698-12SB9	
1700					7	4	109700-82MO	108935-82MO	MU155698-SB7
1860					7	6	109700-20MO	108935-20MO	MU155698-VHD
2050					6	109700-25MO	108935-25MO	MU155698-VHD	
1150	14 INCH	2" - 10"	7"	8	Organic	-	10803-82MO	MU145390-DS	
1400					4	-	108050-59MO	MU145390-DSCB	



Give Us A Call Today 1 (800) 263-7619

Or Visit Us At www.pacifictruck.com

NEW CLUTCH ASSEMBLIES & ACCESSORIES

SOLO ADVANTAGE® SELF ADJUST	EASY PEDAL ADVANTAGE® MANUAL	EVERTOUGH® SELF ADJUST	EVERTOUGH MANUAL ADJUST	MID-AMERICA Reference	ILLINOIS AUTO Reference	TRUCKRAFT Reference
NEW						
-	-	-	108391-81AM	AN155597-DSCB	NMU898-094-4	108291-81
-	-	-	-	AN155597-DS	NMU898-090-6	-
-	-	-	108391-74AM	AN155698-SB10	NMU898-064-4	108291-74
309701-51	308925-51	109701-51AM	108935-51AM	AN1555698-SB9	NMU898-054-4-M	108825-61
309701-61	308925-61	-	108935-61AM	AN1555698-SB9	NMU898-054-4-M	108825-61
309701-91	308925-91	-	108935-91AM	AN155698-12SB9	NMU898-057-4-M	108825-92
309701-92	308925-92	109701-92AM	-	AN155698-12SB9	-	-
309701-82	308925-82	109701-82AM	108925-82AM	AN155698-SB7	NMU898-044-4	108825-82
-	-	109701-20AM	108925-20AM	AN155698-BHD	-	108825-20
-	-	109701-25AM	108925-25AM	AN155698-BHD	NMU898-147-6	108825-25
108050-82B	-	-	-	AN145390-DS	NMU890-020-4	-
108050-59B	-	-	108050-59AM	AN145390-DSCB	NMU890-184-1	108150-59

EATON CLUTCH FOR AUTOMATED TRANSMISSIONS

CLUTCH TORQUE LB-FT	PART #	DESCRIPTION	PART #	VOLVO X-REF
1750	121000-1	Heavy-duty DM Clutch	MU-12100-1	-
1850	122002-35A	Heavy-duty ECA Clutch and LCIB	-	-
2250	122003-42A	Heavy-duty ECA Clutch and LCIB	-	-
1650	104460-1	430mm Clutch	-	#85003114
1850	104461-1	430mm Clutch	-	#85000907 #85003972 #85003973

CLUTCH INSTALLATION KITS

APPLICATION	PART #	INPUT SHAFT INCLUDED
RT Series	K-2468	26566
RT Series - Severe Duty	K-3762	23566
RT Series with 14" Spline Input Shaft	K-3768	4304841
RT Series with Hydraulic Clutch Release	K-4125	23566
RT Series with Mack-style Pilot Bearing	K-3599	23566
FR Series	K-3600	4304633
FR Series with Mack-style Pilot Bearing	K-3601	4304633
FR Series with Original Design (4302315)	K-3602	4302315
FR Series with Hydraulic Clutch Release	K-4124	4304633
Ultrashift Plus	K-4145	4308011
FRLO (Lightning) Series	K-3764	4305624

Give Us A Call Today 1 (800) 263-7619

Or Visit Us At www.pacifictruck.com

HEAVY DUTY



CLUTCH ASSEMBLIES & ACCESSORIES

FLYWHEELS

MAKE	ENGINE	BORE SIZE	O.D. (IN.)	PILOT BEARING	MOUNTING HOLES	RING GEAR COUNT	PART #
Caterpillar	3116 / 3126	7.12"	13" / 14"	TK206FF / TK305FF	8	134	1265875
Caterpillar	C10 / C12 / C13	10.00"	15"	TK306VV	8	113	4P8515
Caterpillar	3406 / 3406E	10.00"	15"	TK306VV	12	113	4P4797
Caterpillar	C15 / C16 / C18	10.12"	15"	TK306VV	12	113	2569653
Cummins	L10 / M11	7.25"	14"	TK306VV	8	103	3042787
Cummins	N14 / NT855	10.12"	15"	TK306VV	6	103	3071535
Cummins	L10 / M11	10.12"	15"	TK306VV	8	103	3071615
Cummins	ISX / Signature 600	10.00"	15"	TK306VV	12	113	3680922
Cummins	8.3L / C Series	7.25"	14"	TK206FF / TK305FF	8	173	3906807
Cummins	8.3L / C Series	7.25"	14"	TK206FF / TK305FF	8	173	3921263
Detroit	60 Series	10.00"	15"	TK306VV	12	118	23509709
Detroit	60 Series	10.00"	15"	TK306VV	12	118	23514177
Mack	E7	10.00"	15"	TK306VVL	8	118	530GB3145M
Mack	E7 / E-Tech	10.00"	15"	TK306VVL	6	117	530GB3170M
International	DT466 A,B,C	7.25"	14"	TK205FF	8	138	1810855C93
International	7.3L / 444E	7.25"	13" / 14"	TK206FF / TK 305FF	10	137	1818214C91
International	DT466E	7.25"	14"	TK206FF / TK305FF	12	138	1821915C91

PILOT BEARINGS

SHIELDS	BORE (IN.)	O.D. (IN.)	WIDTH (IN.)	TRUCKRAFT PREMIUM PART #
Stainless Steel	0.984"	2.047"	0.59"	TK203SS
Polyurethane	1.181"	2.441"	0.633"	TK203FF
Stainless Steel	0.984"	2.047"	0.59"	TK205SS
Polyurethane	1.181"	2.441"	0.633"	TK206FF
Stainless Steel	1.181"	2.441"	0.633"	TK206SS
Stainless Steel	0.986"	2.441"	0.669"	TK305SS
Polyurethane	1.181"	2.834"	0.748"	TK306FF
Stainless Steel w/ Snap Ring	1.181"	2.834"	0.748"	TK306SSL
Viton	1.181"	2.834"	0.748"	TK306VV
Viton w/Snap Ring	1.181"	2.834"	0.748"	TK306VVL

*SSL and VVL part numbers are for use with Mack applications

Give Us A Call Today 1 (800) 263-7619

Or Visit Us At www.pacifictruck.com

HEAVY DUTY

CLUTCH ASSEMBLIES & ACCESSORIES

CLUTCH BRAKES

PART #	THICKNESS (IN.)	SIZE (IN.)	ALTERNATES AVAILABLE
TKM-1881	.375"	2.0"	Yes
TKM-1882	.450"	2.0"	Yes
TKM-1883	.500"	2.0"	Yes
TKM-1917	.550"	2.0"	Yes
TKM-1918	.375"	1.75"	Yes
127740	.375"	1.75"	Yes
127760	.375"	2.0"	Yes
127720	.375"	2.0"	Yes
BK313	.375"	2.0"	Yes
SB175	.375"	1.75"	Yes
SB200	.375"	2.0"	Yes

OTHER ACCESSORIES

DESCRIPTION	PART #
Manual Clutch Adjuster	125489
Alignment Tool 1.75" w/1.18" pilot	M-1757
Alignment Tool 1.75" w/ 1" pilot	M-1756
Alignment Tool 2.00"	M-1758
Alignment Tool 2.00" x 10 Spline	M-1757
Alignment Tool 2.00" x 14 Spline	M-1977
Cross Shaft 9.00" Kenworth K210-883	M-1984
Cross Shaft 9.625" Peterbilt 06-01093	M-1986
Cross Shaft 9.50" Freightliner 02-12467-00	M-1992
Cross Shaft 8.75" Freightliner 02-09788-007	M-1998
HWC00063 Nut for Peterbilt X-Shift	M-1996
Clutch Level Peterbilt 06-00715	M-2028
Cross Shaft Long [Right Side]	106C-1047
Cross Shaft Short [Right Side]	106C-1498
Drive Pin	274C-6
Grease Hose 8"	CLT008P
Grease Hose 9"	CLT009P
Grease Hose 12"	CLT012P
Release Fork	105C-137
Shaft Bushing	128C-20
2" Spacer	RC2540K
14 oz Grease Cartridge	5564550
CR-1 Shaft 5.75"	106C1185

HEAVY DUTY



U-JOINTS, YOKES, BEARINGS & ACCESSORIES

U-JOINTS

SERIES	SPICER PART #	SPICER SVL PART #	MERITOR PART #	ARMADA PART #
1000	5-103X	-	CP103X	AR-103
1000	5-170X	15-170X	CP170X	AR-170
1310	5-1310X	-	-	AR-1310
1310	5-153X	15-153X	CP1200X	AR-153
1330	5-1330X	-	-	-
1330	5-213X	15-213X	CP213X	AR-213
1350	5-1350X	-	-	-
1350	5-178X	15-178X	CP178X	AR-178
1410	5-1410X	-	-	-
1410	5-160X	15-160X	CP160X	AR-160
1480	5-188X	15-188X	CP188X	AR-188
1550	5-155X	15-155X	CP155N	AR-155
1610	5-279X	15-279X	M279X/CP279X	AR-279
1610	5-674X	15-674X	M674X/CP674X	AR-674
1710	5-280X	15-280X	M280X/CP280X	AR-280
1710	5-675X	15-675X	M675X/CP675X	AR-675
1760	5-407X	15-407X	M407X/CP176N	AR-467
1760	5-677X	15-677X	M677X/CP677X	AR-677
1810	5-281X	15-281X	M281X/CP281X	AR-281
1810	5-676X	15-676X	M676X/CP676X	AR-676
1310WJ	5-760X	-	CP2971X	-
1330/3R	5-212X	-	-	-
3R/S44	5-3147X	15-3147X	CP3147X	AR-3147
S44	5-795X	-	-	-
SPL100	SPL100-1X	-	US90X	AR-SP100-1
SPL170	SPL170-4X	-	US170X	AR-SP170-4
SPL250	SPL250-3X	-	US250X	AR-SP250-3
SPL55WJ	SPL55-3X	-	CP332X	-
SPL70	SPL70X	-	-	-



Give Us A Call Today 1 (800) 263-7619

Or Visit Us At www.pacifictruck.com

YOKES

SERIES	DESCRIPTION	SPICER PART #	MERITOR PART #	NEAPCO PART # REF
1000	End Yoke	10-4-103	10N4103	10-4103
1000	End Yoke	10-4-123	10N4123	10-4123
1000	End Yoke	34246	10N493	10-0493
1310	End Yoke	2-4-533	131N4533	N2-4-533
1310	End Yoke	2-4-783-1	131N4783	N2-4-783
1310	End Yoke Assy	2-4-8091X	131N48091X	N2-4-8091X
1310	Flange Yoke	2-2-329	131N2329	N2-2-329
1310	Flange Yoke	2-2-479	131N2479	N2-2-479
1310	Slip Yoke Assy	2-3-8001KX	131N38001KX	N2-3-5221KX
1310	Tube Yoke	2-28-367	131N28367	N2-28-367
1310	Tube Yoke	2-28-437	131N28437	N2-28-437
1350	Flange Yoke	3-2-119	135N2119	N3-2-119
1350	Tube Yoke	20907	135N2857	N3-28-57
1410	Flange Yoke	3-2-159	141N2159	N3-2-159
1480	End Yoke	3-4-6901-1	-	-
1710	End Yoke	6-4-7481-1	-	N6-4-7481-1
1710	End Yoke Assy	6-4-8991-1X	17N489911X	N6-4-8991-1X
1710	End Yoke Assy	6-4-9001-1X	17N490011X	N6-4-9001-1X
1710	End Yoke Assy	6-4-9031X	17NYS3292A	-
1710	Slip Yoke Assy	6-3-2651KX	17N32651XMXL	N6-3-2651KX
1710	Slip Yoke Assy	6-3-2671KX	17N32671XMXL	N6-3-2671KX
1710	Slip Yoke Assy	6-3-3441KX	17N32401XMXL	-
1710	Tube Shaft	6-40-521	17N40521	N6-40-521
1710	Tube Yoke	6-28-347	17N28347	N6-28-347
1710/1760	Tube Shaft	6-40-541	17N40541	N6-40-541
1710/1760/1810	Strap Kit	6.5-70-18X	KT17SB	1-0046
1760	End Yoke	6.3-4-821-1	176N48211	N6.3-4-821-1
1760	End Yoke Assy	6.3-4-1391-1X	-	N6.3-4-1391-1X
1760	End Yoke Assy	6.3-4-5221-1X	176TYS3612A	N6.3-4-5221-1X
1760	End Yoke Assy	6.3-4-791-1X	176N47911X	N6.3-4-791-1X
1760	Tube Yoke	6.3-28-17	176N2817	N6.3-28-17
1810	End Yoke	6.5-4-1891-1	18N418911	N6.5-4-1891-1
1810	End Yoke	6.5-4-3591-1	18N435911	N6.5-4-3591-1
1810	End Yoke	6.5-4-4631	-	-

HEAVY DUTY



U-JOINTS, YOKES, BEARINGS & ACCESSORIES

YOKES

SERIES	DESCRIPTION	SPICER PART #	MERITOR PART #	NEAPCO PART # REF
1810	End Yoke	6.5-4-4631-1	-	N6.5-4-4631-1
1810	End Yoke Assy	6.5-4-3561-1X	18N435611X	N6.5-4-3561-1X
1810	End Yoke Assy	6.5-4-3731-1X	18TYS3827A	N6.5-4-3731-1X
1810	End Yoke Assy	6.5-4-3731X	18NYS3827A	N6.5-4-3731X
1810	End Yoke Assy	6.5-4-4011-1X	-	-
1810	End Yoke Assy	6.5-4-4571-1X	18N443111	N6.5-4-4571-1X
1810	Slip Yoke Assy	6.5-3-1371KX	18N31371XMXL	N6.5-3-1371KX
1810	Tube Shaft	6.5-40-191	18N40191	N6.5-40-191
1810	Tube Yoke	6.5-28-117	18N28117	N6.5-28-117
SPL170	End Yoke Assy	170-4-281-1X	-	N170-4-281-1X
SPL170	End Yoke Assy	170-4-671-1X	-	N170-4-671-1X
SPL170	Yoke Shaft Assy	170-82-21X	-	-
SPL250	End Yoke	250-4-21-1	-	N250-4-21-1
SPL250	End Yoke	250-4-271-1	-	N250-4-271-1
SPL250	End Yoke Assy	250-4-351-1X	-	N250-4-351-1X
SPL250	End Yoke Assy	250-4-81-1X	-	N250-4-81-1X
SPL250	Splined Sleeve Assy	250-55-31X	-	-
SPL250	Tube Yoke	250-28-17	-	-
SPL250	Yoke Shaft Assy	250-82-21X	-	-
SPL250	Yoke Shaft Assy	250-82-21X	-	-

CENTER BEARINGS

SERIES	SPICER PART #	TRUCKRAFT PART # REF	MERITOR PART #	NEAPCO PART # REF
1310	211359X	211359X	-	-
1310/1410	210088-1X	210088-1X	CB2100881X	N210088-1X
1410	210866-1X	210866-1X	CB2108661X	N210866-1X
1610	210084-2X	210084-2X	CB2100842X	N210084-2X
1710	210121-1X	210121-1X	CB2101211XSA	N210121-1X
1810	5003323	TK210661-1XSA	CB2106611XSA	N210661-1X
1810	5003326	210875-1X	CB2108751XSA	N210875-1X



Give Us A Call Today 1 (800) 263-7619

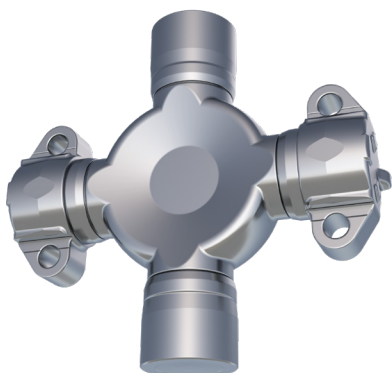
Or Visit Us At www.pacifictruck.com

COMPANION FLANGES

SERIES	HOLE COUNT	BOLT CIRCLE DIAMETER (IN.)	PART #
1310	4	3.125"	2-1-1313-4
1310	4	3.125"	2-1-1313-9
1310	4	3.125"	2-1-333
1350	8	4.250"	2010948
1350	4	3.750"	3-1-303-7
1610	8	6.125"	5-1-2541
1810	12	7.250"	6.5-1-481
1810	12	7.250"	6.5-1-741

SHAFT SLEEVES

PART #	MIN. SHAFT DIAMETER (IN.)	MAX. SHAFT DIAMETER (IN.)	WIDTH (IN.)	LENGTH (IN.)	INSTALL TOOL DEPTH (IN.)
99250	2.497"	2.506"	0.780"	0.937"	1.500"
99262	2.623"	2.631"	0.780"	0.937"	1.500"
99274	2.743"	2.751"	0.780"	0.937"	1.375"
99275	2.748"	2.756"	0.780"	0.937"	1.375"
99293	2.935"	2.943"	0.812"	0.938"	1.500"
99300	2.998"	3.006"	0.812"	1.000"	1.500"
99325	3.248"	3.256"	0.812"	1.000"	1.500"
99350	3.498"	3.506"	0.812"	1.000"	1.500"



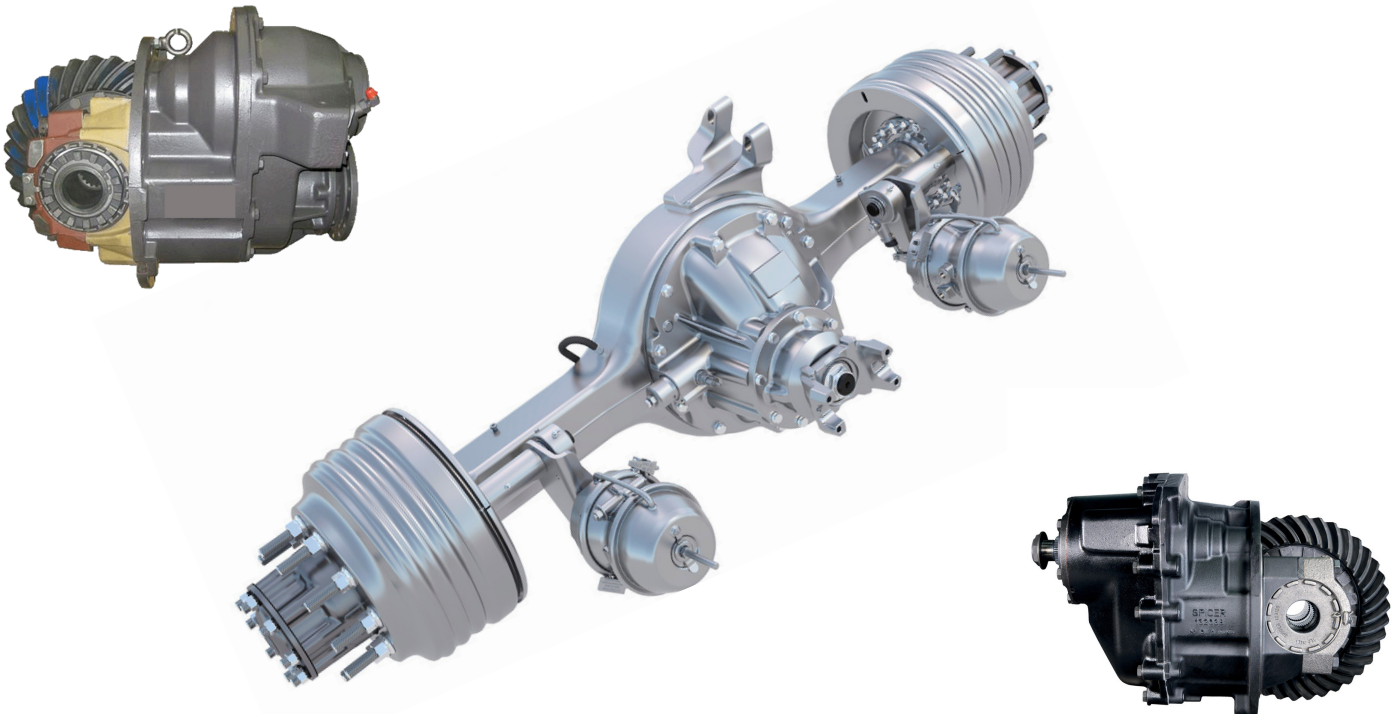
HEAVY DUTY

DIFFERENTIAL ASSEMBLIES & PARTS



DIFFERENTIAL

MODELS	MAKE	FRONT/REAR PART #	REMAN AVAILABLE
20145 / 3.73	Meritor	A13200B1978S373 / B13200G1879373	Yes
20145 / 3.58	Meritor	A13200B1978S358 / B13200G1879358	Yes
20145 / 3.42	Meritor	A13200B1978S342 / B13200G1879342	Yes
23160/4-10	Meritor	A33200K2117/A43200F2138S	Yes
23160/4-30	Meritor	A33200K2117/A43200F2138S	Yes
170DP / 3.91	Spicer New Core Free	D170DP391CF	Yes
170DP / 4.10	Spicer New Core Free	D170DP410CF	Yes
170DP / 4.30	Spicer New Core Free	D170DP430CF	Yes
404 / 3.36	Spicer New Core Free	DS404336CF/RS404336CF	Yes
404 / 3.55	Spicer New Core Free	DS404355CF/RS404355CF	Yes
404 / 3.70	Spicer New Core Free	DS404370CF/RS404370CF	Yes
404 / 3.90	Spicer New Core Free	DS404390CF/RS404390CF	Yes
404 / 4.11	Spicer New Core Free	DS404411CF/RS404411CF	Yes
P40 / 3.36	Spicer New Core Free	DSP40336CF/RSP40336CF	Yes
P40 / 3.55	Spicer New Core Free	DSP40355CF/RSP40355CF	Yes
P40 / 3.70	Spicer New Core Free	DSP40370CF/RSP40370CF	Yes
CRD(P) / 4.42	Mack	CRD(P)92442R/CRD93442R	No
CRD(P) / 4.17	Mack	CRD(P)92417R/CRD93417R	No



Give Us A Call Today 1 (800) 263-7619

Or Visit Us At www.pacifictruck.com

HEAVY DUTY

DIFFERENTIAL ASSEMBLIES & PARTS

RING & PINION

DANA MODEL (FRONT/REAR)	PART #	ALTERNATIVE AVAILABLE
D344/404/405/454 - 3.36	513384/513371	Yes
D344/404/405/454 - 3.55	513383/513370	Yes
D344/404/405/454 - 3.70	513382/513369	Yes
D344/404/405/454 - 3.90	513381/513368	Yes
D344/404/405/454 - 4.11	513380/513367	Yes
D344/404/405/454 - 4.33	513379/513366	Yes
D344/404/405/454 - 4.63	513378/513365	Yes
MERITOR MODEL (FRONT/REAR)	PART #	ALTERNATIVE AVAILABLE
RD20145-3.58	B41512-1/B41532-1	Yes
RD20145-3.73	B41514-1/B41534-1	Yes
RD20145 3.42	B41276-1/B41164-1	Yes



CARRIER SEALS

MODEL	DESCRIPTION	POSITION	PART #	TRUCKRAFT
D/R170	Kit-Pinion Seal & Nut	Front Input Seal Kit (Incl. Nut)	131008K	DT131008K
D/R404, S110, S130	Oil Seal	Front Input & Rear Input	127591	DT7591
D402	Oil Seal	Front Input Seal	127719	DT7719
D402	Oil Seal	Front Input Seal	127720	DT7720
D402	Oil Seal	Rear Input Seal	127721	DT7721
D404	Oil Seal V-Ring	Front Retainer	128703	DT8703
D404	Oil Seal	Front Output Seal	127592	DT7592
D461P	Oil Seal	Front Input Seal	210736	DT0736
G175T	Oil Seal	Front Input Seal	GGAHH103	GGAHH103
J400	Oil Seal	Front Input Seal	472HH100	-
J400	Oil Seal	Front Input Seal	472HH101	-
J400	Oil Seal	Rear Pinion Seal	HH105	-
N400	Oil Seal	Front Input Seal	401HH104	-
N400, J400	Oil Seal	Rear Input Seal	401HH102	DTHH102
R461	Oil Seal	Front Input Seal	210737	DT0737
R461	Oil Seal	Rear Input Seal	210724	DT0724
S135/S150	Pinion Oil Seal	Rear Input Seal	029HH100	714512
14X/16X	Pinion Oil Seal	Output Shaft Seal	A1-1205Y2729	100495
14X/16X/18X/38X	Pinion Oil Seal	Input Shaft Seal	A1-1205X2728	100494
14X	Pinion Oil Seal	Rear Pinion Seal	A1-1205Z2730	100263

HEAVY DUTY

DIFFERENTIAL ASSEMBLIES & PARTS



OVERHAUL KITS

DESCRIPTION	MODEL	GENUINE PART #	TRUCKRAFT PART #
Dana	DD461	217621	TKRA211FMK
Dana	DS402	124487	TKRA222FMK
Dana	DS404	216220	TKRA404FMK
Dana	DS461	122437	TKRA208MK
Dana	DSH40	510393	TKRA427MK
Dana	RD404	217464	TKRA405F
Dana	RS404	216221	TKRA404FMK
Dana	RS404	504121	TKRA404RMK
Dana	RS461	122434	-
Dana	RSH40	510398	TKRA429MK
Meritor	RR20145	KIT4400	TKRA217R
Meritor	RD20145	KIT4396	TKRA4396
Meritor	SQ100	KIT4035	TKRA194F
Meritor	RD22145	KIT4406	TKRA4406
Meritor	RPL23160	KIT4423	TKRA4423
Meritor	RPL23160	KIT4428	TKRA4428
Alliance Axle	ART34,40,44-4 Before 2008	-	TKRA650F
Alliance Axle	ART34,40,44-4 After 2008	-	TKRA650FA
Alliance Axle	ART34,40,44-4, S23-4, S20-4, S19	-	TKRA650R
Alliance Axle	ARS21-2	-	TKRA651



Give Us A Call Today 1 (800) 263-7619

Or Visit Us At www.pacifictruck.com

AXLE SHAFTS FOR DANA APPLICATIONS

PART #	SPLINE	LENGTH (IN.)	HOLE TYPE	HOLE COUNT
110889	36	40.875"	635-STR	8
175SR102	36	40.750"	650-STR	8
571348C2	36	39.700"	590-STR	8
129507	36	41.375"	948-TPR	8
129138	38	41.375"	948-TPR	8
130912	39	38.688"	645-STR	8
130911	39	42.875"	645-STR	8
571349C2	39	40.250"	650-STR	8
127437	41	38.976"	635-STR	8
127438	41	43.307"	635-STR	8
128435	41	43.307"	635-STR	8
110888	41	41.313"	635-STR	8
128514	41	38.130"	773-STR	8
128516	41	38.976"	948-TPR	8
129330	41	41.500"	948-TPR	8
128517HX	41	43.307"	948-TPR	8
128559	41	42.460"	773-STR	8
126965	41	42.460"	773-STR	8
131245	46	46.000"	948-TPR	8
131246	46	37.000"	948-TPR	8

TECH TIP



TECHNICIANS OFTEN OVERLOOK THE FOLLOWING:

- **Loose Fasteners:** Always check for loose fasteners at the center bearing mounting as well as loose end yoke nuts at major components. Checking your vertical or rotational movement at these locations can prevent future failures.
- **Slip Yoke Shaft:** Check for slip yoke spline wear by simply moving the shaft up and down to gauge amount of movement.
- **Greaseable U-Joint Purging:** Make sure all four journal caps are purged during PM greasing for proper u-joint life. Not purging all four positions can lead to air pockets which prevent grease from escaping and can starve specific journal caps of grease later in life.

AXLE SHAFTS FOR MERITOR APPLICATIONS

PART #	SPLINE	LENGTH (IN.)	HOLE TYPE	HOLE COUNT
320ZF9002	34	37.260"	Taper	8
3202L8904	36	40.280"	Taper	8
3202J8902	36	41.540"	Taper	8
3202X9046	39	37.630"	Taper	8
3202Q8935	39	40.150"	Taper	8
3202U9485	41	44.000"	Straight	8
3206T1346	41	37.920"	Straight	8
3202S9119	41	43.130"	Straight	8
3202H9342	41	43.130"	Taper	8
3206S1345	41	43.870"	Taper	8
3202U9043	41	43.800"	Taper	8
3206Q1343	41	37.920"	Taper	8
3202F9340	41	37.180"	Taper	8
3206U1347	41	43.870"	Straight	8
3202Q9117	41	37.180"	Straight	8
3202L6356	41	38.290"	Taper	8
3202Q8805	46	37.440"	Taper	8
3202B8816	46	43.930"	Taper	8
3202Y9125	46	36.570"	Straight	8
3202C9129	46	43.070"	Straight	8

AXLE SHAFTS FOR MACK APPLICATIONS

REFERENCE #	PART #	SPLINE	LENGTH (IN.)	HOLE TYPE	HOLE COUNT
68KH3203P1	6754	17	34.750"	S8-37/64	8
68KH3203P2	6755	17	45.125"	S8-37/64	8
68KH3226	6746	17	35.375"	T6-49/64	8
68KH414	5447	43	36.062"	T8-43/64	8
68KH414P2	5448	43	46.437"	T8-43/64	8
68KH3232	6761	43	35.940"	T6-45/64	8
68KH3232P2	6762	43	45.190"	T6-45/64	8



We at Pacific Truck are proud to carry a wide number of OEM quality brands. Our experts are always ready to assist you with any product and technical information. Call us Toll Free: 1 (800) 263-7619

Give Us A Call Today 1 (800) 263-7619

Or Visit Us At www.pacifictruck.com



Pacific Truck

The Parts You Need. When You Need Them.

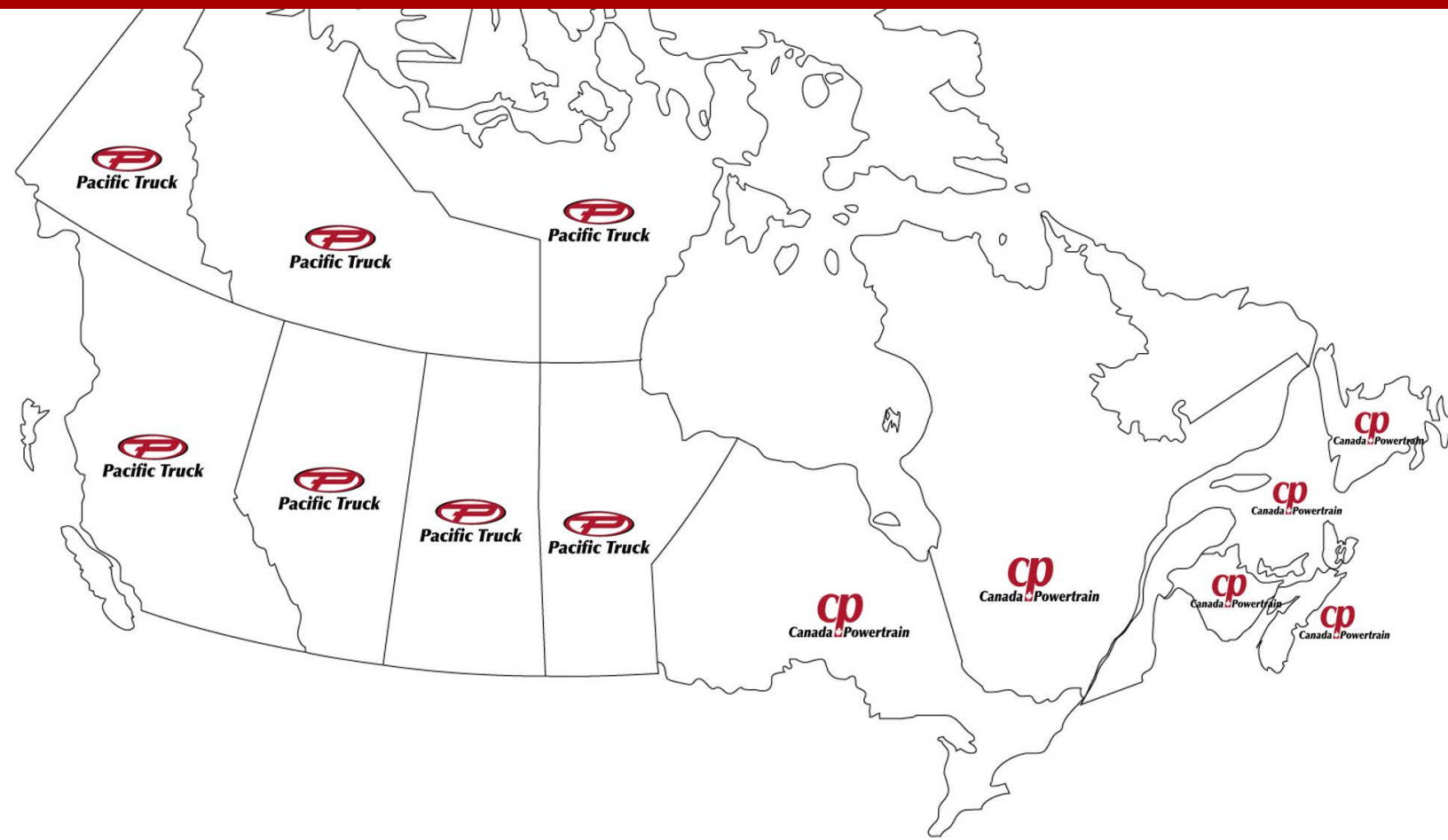
OUR PROMISE TO YOU

At Pacific Truck, our mission is to be the preferred distributor of heavy duty truck and trailer products and advanced repair & rebuild services in Canada.

This mission is continuous and always at the core of our business operations and dictates our customer service excellence. We promise to remain your preferred distributor and build lasting relationships by offering exceptionally reliable truck parts, expertise, available inventory and delivery.

Give Us A Call Today 1 (800) 263-7619

Or Visit Us At www.pacifictruck.com



WE HAVE YOU COVERED COAST TO COAST



Pacific Truck

Give Us A Call Today 1 (800) 263-7619

Or Visit Us At www.pacifictruck.com



Canada Powertrain

Give Us A Call Today 1 (800) 268-4809

Or Visit Us At www.cptparts.com